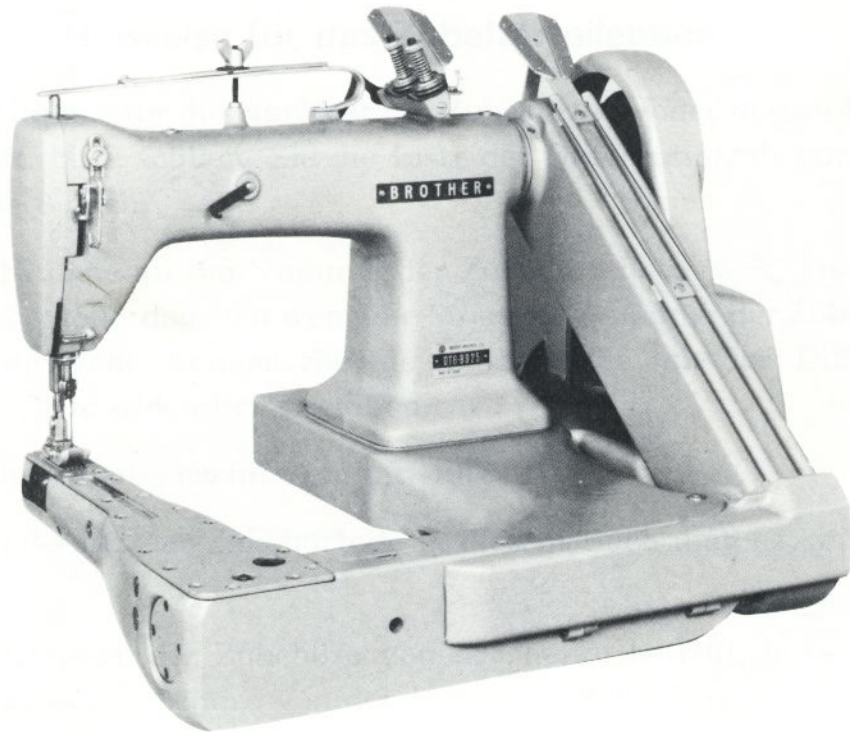




**PARTS BOOK**  
FOR  
**BROTHER DT6-B925**





Twin Needle Feed-off-the-arm Double Chain Stitch Machine

**BROTHER INDUSTRIES, LTD.**  
**NAGOYA, JAPAN**

## How to use the parts book

1. When the column for the parts number or the parts assembly number is , please refer to the different parts list on the page 8.
  2. When the column for the parts number is , the parts cannot be supplied. But when the parts assembly number is shown in the column, please order the parts by the parts assembly number so that the parts can be arranged in the form assembled parts.
  3. This book is edited basing on the data as of the February, 1978.
  4. The parts in this book may be changed without any advance notice.
- ※ As for numbers of gauge parts, please refer gauge parts list on the page 6.

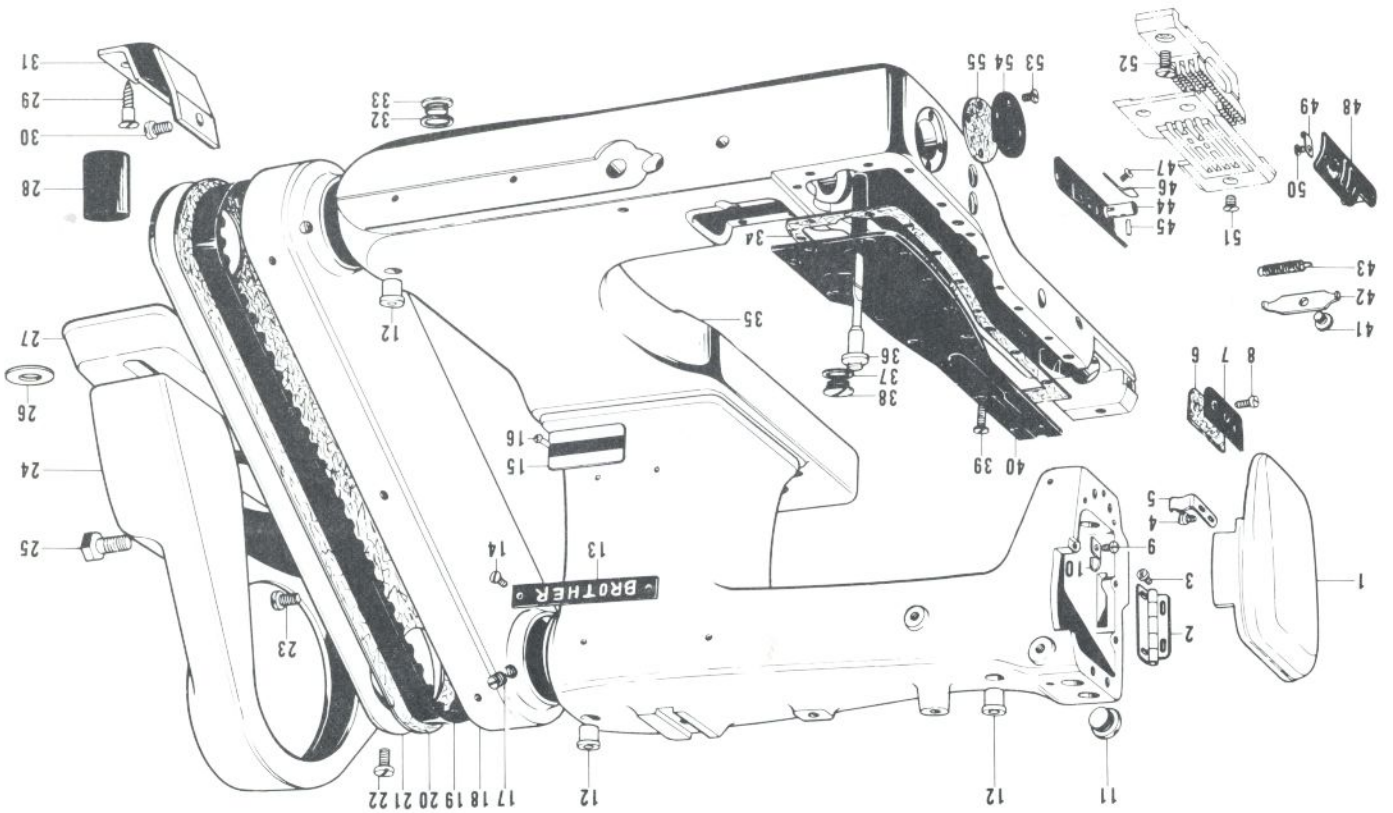
## Hinweise für das Zubehöriteilbuch

1. Wenn die Klumne für die Nummer der Zubehörteile oder dessen Montage  ist, bitte schlage Sie die Liste der Differentialzubehörteileliste in der Seite 8 nach.
  2. Wenn die Klumne für die Nummer der Zubehörteile  ist, gibt es keine Zubehörteile, dagegen wenn die Montage- Nummer der Zubehörteile in der Liste steht, können Sie die Zubehörteile mit der Differential-zubehörteileliste ordentlich bestellen.
  3. Diese Buch-Ausgabe ist im Februar, 1978.
  4. Bei der Änderung der Zubehörteile in diesem Buch mag es keine Notiz geben.
- ※ Was die Nummer der Zubehöre von der Lehre betrifft, bitte schlagen Sie die Liste der Zubehöre von der Lehre auf Seite 6 nach.

## CONTENTS

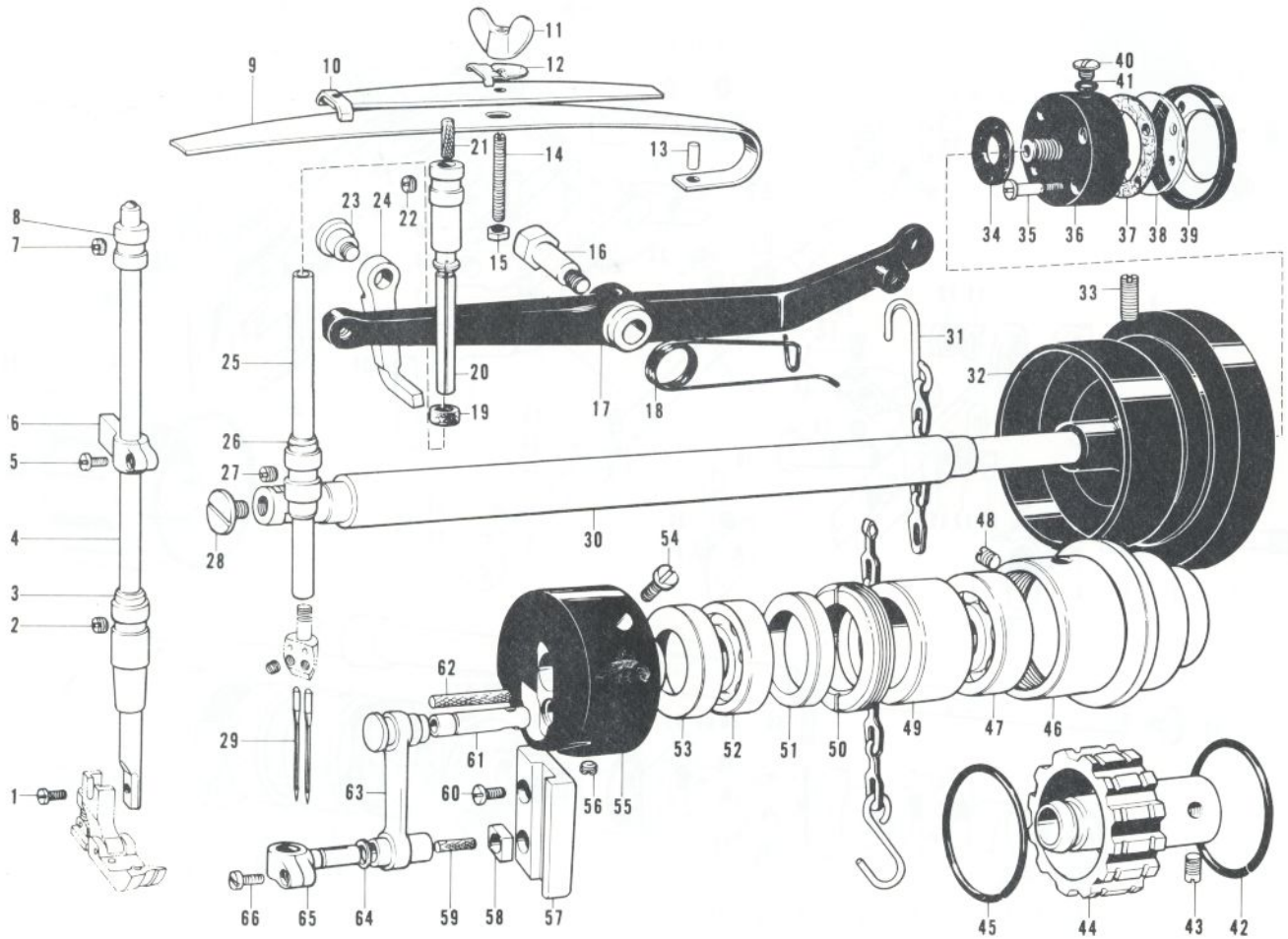
A. Machine Body.....	1
B. Upper Shaft, Needle Bar and Presser Foot Lifter Mechanism.....	2
C. Looper, Feed Dog Mechanism.....	3
D. Upper Thread Mechanism.....	4
E. Lower Thread Mechanism.....	5
F. Gauge Mechanism.....	6
Z. Accessories.....	7
DIFFERENT PARTS LIST.....	8
INDEX.....	8

A. Machine Body



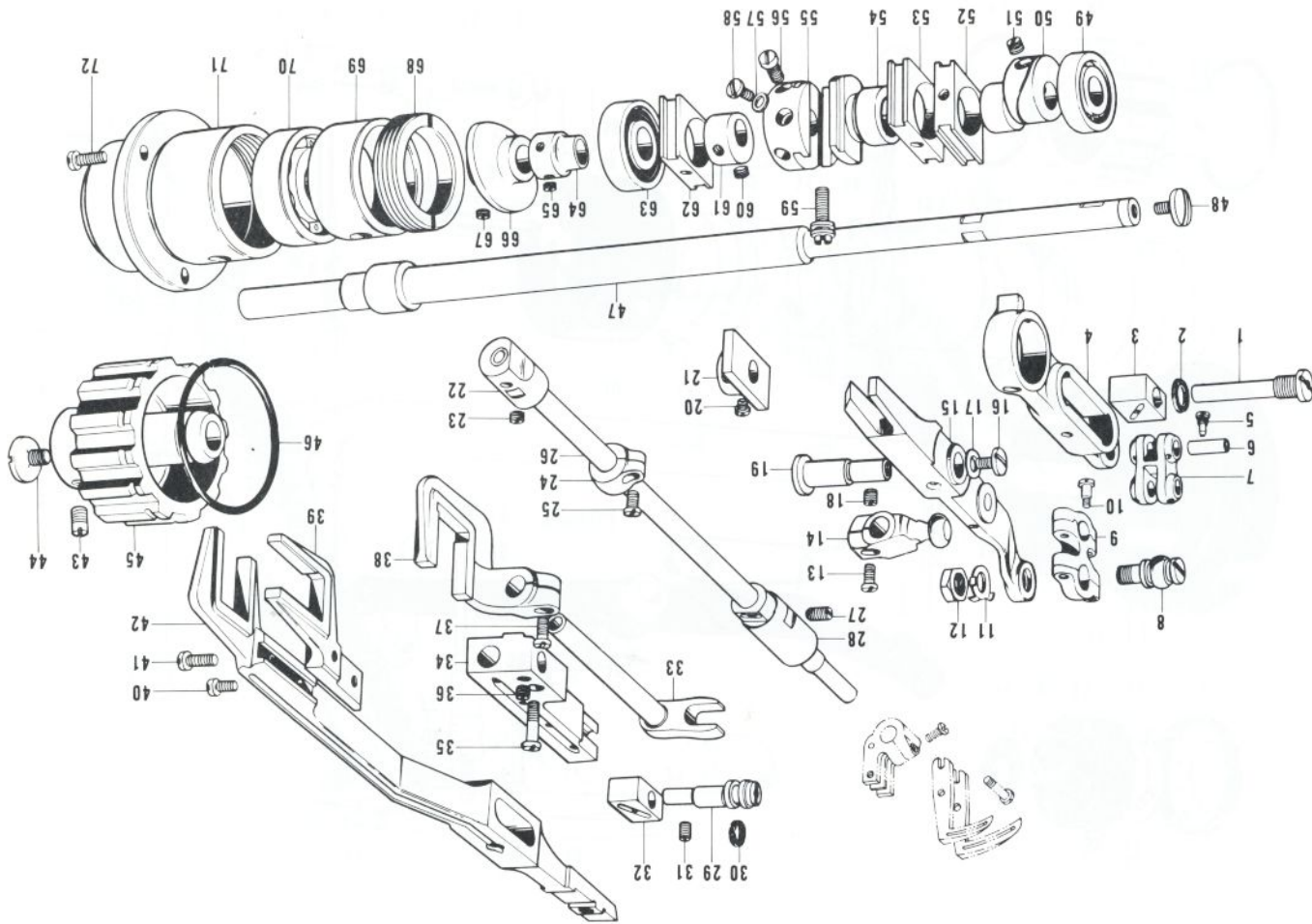
Ref. No.	Name of Parts	Qty	Parts No.	Ref. No.	Name of Parts	Qty	Parts No.
A-1	Face Plate Upper Hinge	1	111028.0-01	A-29	Screw	2	101091.0-01
A-2	Face Plate Upper Hinge	1	111027.0-01	A-30	Screw	2	105146.0-01
A-3	Screw	4	100257.0-10	A-31	Cushion Assembly	2	105337.0-01
A-4	Screw	2	100243.0-03	A-32	Packing	1	105215.0-01
A-5	Stopper Spring	1	111032.0-01	A-33	Screw	1	105113.0-01
A-6	Packing	1	111071.0-01	A-34	Packing	1	105211.0-01
A-7	Face Plate Lower	1	111026.0-01	A-35	Arm-Red	1	
A-8	Screw	3	009671.0-13	A-36	Oil Gauge Rod	1	105214.0-01
A-9	Screw	1	102843.0-03	A-37	Packing	1	105215.0-01
A-10	Stopper Spring	1	111033.0-01	A-38	Screw	1	105113.0-01
A-11	Oil Cap	1	101419.0-01	A-39	Screw	16	105216.0-01
A-12	Oil Cap	3	145826.0-01	A-40	Looper Feeding Arm Lid Assembly	1	105210.0-01
A-13	Name Plate "BROTHER"	1		A-41	Screw	1	009679.3-12
A-14	Screw	2		A-42	Side Cover Stopper	1	105321.0-01
A-15	Model Plate	1		A-43	Spring	1	105319.0-00
A-16	Pin	2		A-44	Looper Side Cover (Right)	1	105310.0-01
A-17	Screw	2	107308.0-01	A-45	Pin	2	105320.0-00
A-18	Belt Cover	1	105138.0-01	A-46	Plate Spring	1	105313.0-01
A-19	Timing Belt	1	105137.0-01	A-47	Screw	1	105288.0-01
A-20	Packing	1	105141.0-01	A-48	Looper Side Cover (Left)	1	105315.0-01
A-21	Belt Cover Plate	1	105140.0-01	A-49	Plate Spring	1	105318.0-01
A-22	Screw	2	105146.0-01	A-50	Screw	1	105288.0-01
A-23	Screw	2	009710.8-12	A-51	Screw	3	100032.0-03
A-24	Pulley Cover	1	111040.0-01	A-52	Screw	1	105173.0-01
A-25	Bob	2	105144.0-01	A-53	Screw	4	009670.5-12
A-26	Sheet	2	101800.0-01	A-54	Cap Plate	1	105217.0-01
A-27	Pulley Cover Base	1	111039.0-01	A-55	Packing	1	105218.0-01
A-28	Base Cushion	2	105341.0-01				

## B. Upper Shaft, Needle Bar and Presser Foot Lifter Mechanism



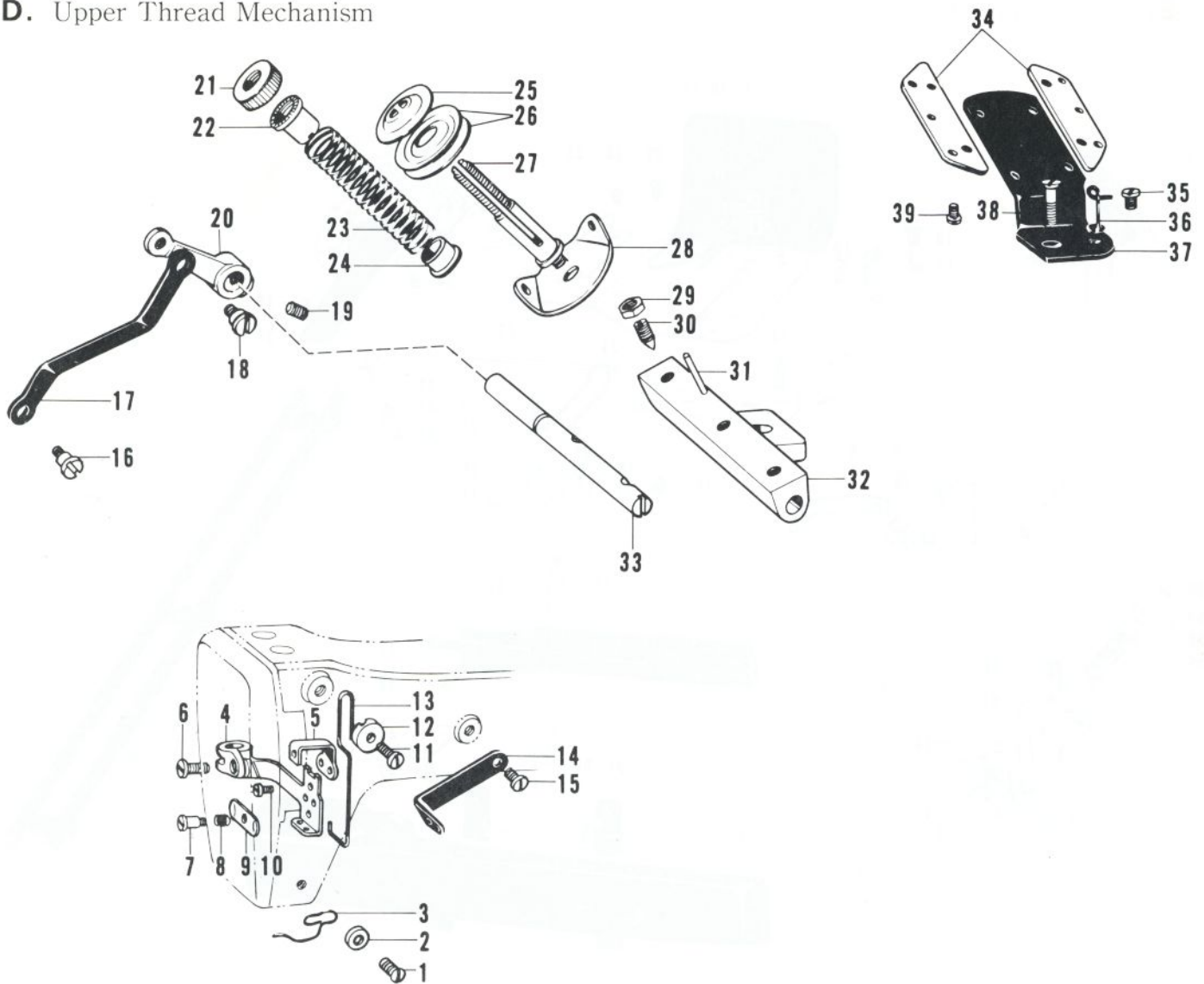
Ref. No.	Name of Parts	Q'ty	Parts No.	Assembly No.	Ref. No.	Name of Parts	Q'ty	Parts No.	Assembly No.
B-1	Screw	1	001670-8-14		B-34	Packing	1	105071-0-01	
B-2	Screw	1	100260-0-01		B-35	Screw	4	120311-0-02	
B-3	Presser Bar Lower Bushing	1	111025-0-01		B-36	Oil Pan	1	105064-0-01	
B-4	Presser Bar Assembly	1	180049-1-01		B-37	Packing	1	105066-0-01	
B-5	Screw	1	105176-0-01		B-38	Oil Gauge Window	1	105065-0-01	
B-6	Presser Bar Holder	1		181997-0-01	B-39	Oil Gauge Flange	1	105067-0-01	
B-7	Screw	1	100260-0-01		B-40	Cap Screw	1	111193-0-01	
B-8	Presser Bar Upper Bushing	1	105091-0-01		B-41	Packing	1	111194-0-01	
B-9	Presser Plate Spring (A)	1	105094-0-01		B-42	Slide Ring	1		
B-10	Presser Plate Spring (B)	1	105096-0-01		B-44	Timing Belt Pulley Upper	1		181982-0-00
B-11	Nut	1	148007-0-01		B-45	Slide Ring	1		
B-12	Guide Washer	1	105100-0-01		B-43	Screw	2	013771-2-12	
B-13	Presser Plate Spring (A) Pin	1	105095-0-01		B-46	Bearing Case	1		
B-14	Screw	1	148006-0-01		B-49	Collar	1		181996-0-01
B-15	Nut	1	021710-2-12		B-50	Collar Fixing Screw Ring	1		
B-16	Screw	1	102921-0-02		B-47	Bearing 6302	1	072630-2-00	
B-17	Knee Lifter Lever	1	105105-0-01		B-48	Screw	1	105062-0-01	
B-18	Knee Lifter Spring	1	105106-0-01		B-51	Upper Shaft Ball Bearing	1	105056-0-00	
B-19	Felt	1	105083-0-01		B-52	Bearing 6202	1	072620-2-00	
B-20	Needle Bar	1		101628-0-01	B-53	Oil Stopper	1	105057-0-00	
B-25	Needle Bar Upper Bushing	1			B-54	Screw	2	105073-0-01	
B-21	Wick	1	105363-0-01		B-55	Thread Take-up Lever Crank	1		
B-22	Screw	1	100260-0-01		B-56	Screw	2	013770-7-10	
B-23	Screw	1	105104-0-01		B-57	Needle Bar Guide	1	105079-0-01	
B-24	Presser Bar Lifter	1	105103-0-01		B-58	Needle Bar Guide Slide Block	1	105078-0-01	
B-26	Needle Bar Lower Bushing	1	111024-0-01		B-59	Wick	1	105363-0-01	
B-27	Screw	1	100260-0-01		B-60	Screw	2	009681-0-12	
B-28	Screw	1	105063-0-01		B-61	Needle Bar Crank	1		
B-29	Needle TV x 1	2			B-63	Needle Bar Crank Rod	1		182102-0-01
B-30	Upper Shaft	1	105054-0-00		B-65	Needle Bar Bracket	1		
B-31	Presser Foot Lifter Chain Assembly	1	105333-0-01		B-62	Wick	1	108896-0-01	
B-32	Pulley	1	105131-0-01		B-64	Washer	2	105077-0-00	
B-33	Screw	2	105132-0-01		B-66	Screw	1	009670-8-13	

C. Looper, Feed Dog Mechanism



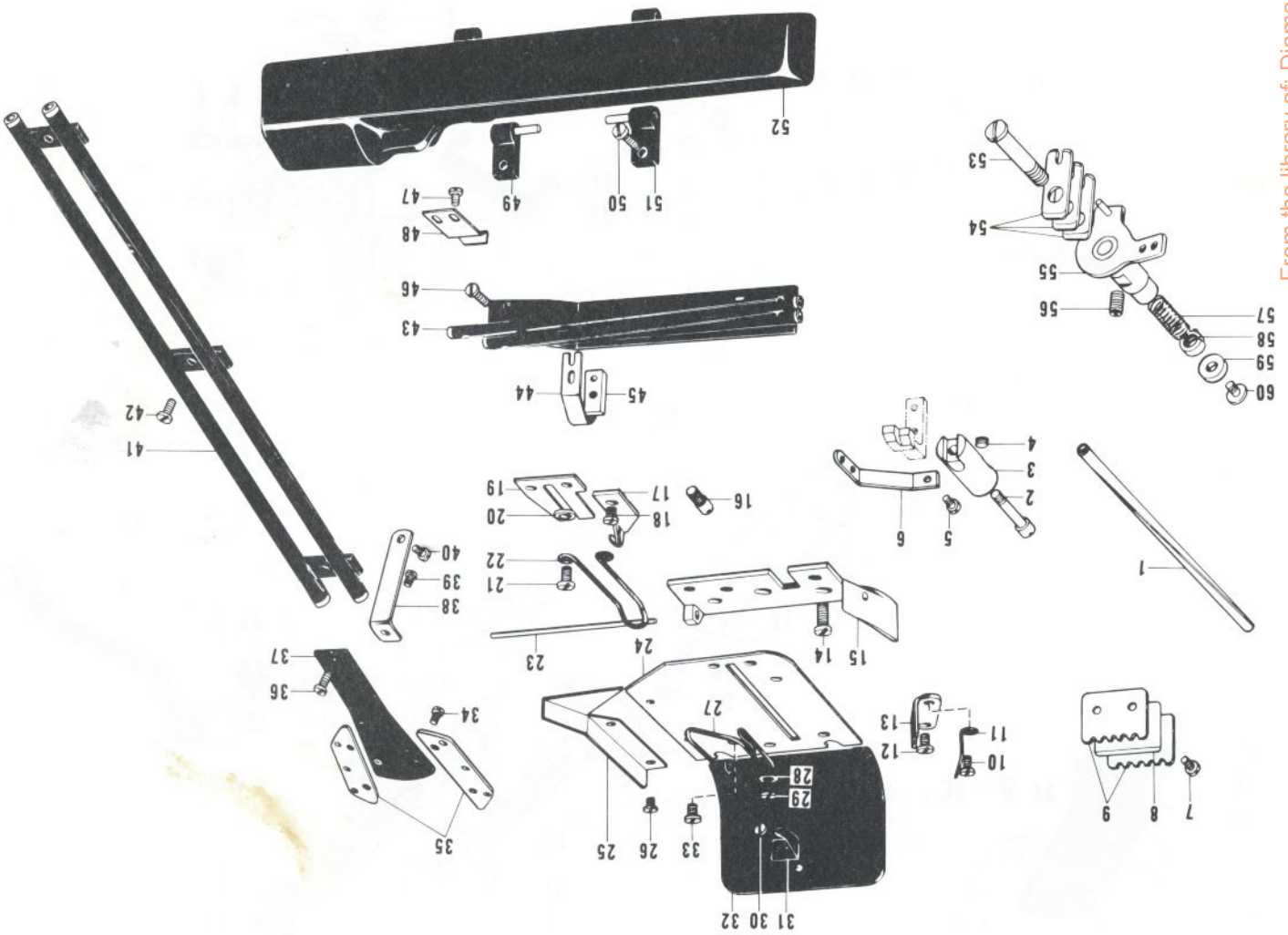
Ref. No.	Name of Parts	Qty	Parts No.	Assembly No.	Ref. No.	Name of Parts	Qty	Parts No.	Assembly No.
C-1	Slide Block Shaft	1		180907-0-01	C-33	Fork Shaft	1		180053-0-01
C-3	Looper Connecting Square Sleeve	1		180907-0-01	C-34	Looper Feeding Shaft Receiver	1		180053-0-01
C-4	Looper Connector	1		180907-0-01	C-35	Screw	1	105179-0-01	180053-0-01
C-5	Screw	2	105184-0-01	180907-0-01	C-36	Screw	1	100260-0-01	180993-0-01
C-6	Looper Link Shaft	2		180907-0-01	C-37	Screw	1	105176-0-01	180993-0-01
C-7	Looper Link	1		180907-0-01	C-38	Looper Feeding Fork	1		180993-0-01
C-15	Looper Lever	1		180907-0-01	C-43	Screw	2	013771-2-12	180993-0-01
C-16	Screw	1	105191-0-01	180907-0-01	C-44	Screw	1	105153-0-01	180993-0-01
C-19	Looper Lever Shaft	1		180907-0-01	C-45	Timing Belt Pulley Lower	1		181981-0-00
C-2	Packing	1	105188-0-01	180907-0-01	C-46	Slide Ring	1		181981-0-00
C-8	Looper Toggle Joint	1		180907-0-01	C-47	Lower Shaft	1	105147-0-01	181981-0-00
C-9	Looper Shaft Link	1		180907-0-01	C-48	Screw	1	105156-0-02	181981-0-00
C-10	Screw	4	100526-0-03	180907-0-01	C-49	Bearing 6200Z	1	072620-0-70	181981-0-00
C-11	Washer	1		180907-0-01	C-50	Feed Lifting Eccentric Wheel	1		181981-0-00
C-12	Nut	1	100022-0-04	180907-0-01	C-51	Screw	2	013770-7-10	181981-0-00
C-13	Screw	1	105176-0-01	180907-0-01	C-52	Feed Lifting Eccentric Wheel Sleeve	1		181981-0-00
C-14	Looper Shaft Clamp	1		180907-0-01	C-53	Eccentric Wheel Sleeve	1		181981-0-00
C-17	Washer	1	117948-0-00	180907-0-01	C-54	Eccentric Wheel	1		181981-0-00
C-18	Screw	1	013760-8-10	180907-0-01	C-55	Feed Eccentric Wheel	1		181981-0-00
C-20	Screw	2	100366-0-01	180907-0-01	C-56	Screw	1	105163-0-01	105157-0-01
C-21	Plate	1	105189-0-01	180907-0-01	C-57	Washer	1		105157-0-01
C-22	Looper Shaft Bushing (Front)	1	105201-0-00	180907-0-01	C-58	Screw	1	001670-5-12	105157-0-01
C-23	Screw	1	100058-0-01	180907-0-01	C-59	Feed Eccentric Adjusting Screw	1		105157-0-01
C-24	Looper Shaft Set Collar	1	105209-0-01	180907-0-01	C-60	Screw	2	102716-0-03	105157-0-01
C-25	Screw	1	009680-7-13	180907-0-01	C-61	Looper Feed Eccentric	1		180052-0-01
C-26	Looper Shaft	1	105200-0-01	180907-0-01	C-62	Looper Eccentric Wheel Sleeve	1		180052-0-01
C-27	Screw	1	013761-0-10	180907-0-01	C-63	Bearing 6201 ZZ	1	072620-1-80	180052-0-01
C-28	Looper Shaft Bushing (Rear)	1	105202-0-00	180907-0-01	C-64	Ball Bearing Bushing	1	105150-0-00	180052-0-01
C-29	Eccentric Shaft	1	105169-0-01	180907-0-01	C-65	Screw	2	102716-0-03	180052-0-01
C-30	Packing	1	105171-0-01	180907-0-01	C-66	Lower Thread Take-up Disc	1	105298-0-01	180050-0-01
C-31	Screw	1	013761-0-10	180907-0-01	C-67	Screw	2	105299-0-02	180050-0-01
C-32	Slide Block	1		180907-0-01	C-68	Collar Fixing Screw Ring	1		180050-0-01
C-39	Feed Lifting Fork	1		180907-0-01	C-69	Collar	1		180050-0-01
C-40	Screw	1	009681-0-12	180907-0-01	C-70	Bearing Case	1		180050-0-01
C-41	Screw	1	009681-2-12	180907-0-01	C-71	Bearing 6302	1	072630-2-00	180050-0-01
C-42	Forked Feed Bar	1		180907-0-01	C-72	Screw	3	105154-0-01	180050-0-01

## D. Upper Thread Mechanism



Ref. No.	Name of Parts	Q'ty	Parts No.	Assembly No.	Ref. No.	Name of Parts	Q'ty	Parts No.	Assembly No.
D- 1	Screw	1	009670-7-12	181990-0-01	D-21	Upper Thread Tension Adjusting Screw	2		181990-0-01
D- 2	Washer	1	105248-0-01		D-22	Washer	2		
D- 3	Upper Thread Guide	1	111809-0-01		D-24	Washer	2		
D- 4	Upper Thread Take-up Lever	1			D-27	Upper Thread Tension Stud Screw	2		
D- 5	Thread Guide	1			D-28	Thread Guide	2		
D- 6	Screw	1	100064-0-05		D-32	Tension Regulator	1		
D- 7	Screw	1	105245-0-01		D-23	Upper Thread Tension Spring	2	105227-0-01	
D- 8	Spring	1			D-25	Tension Disc Washer	2	100134-0-01	
D- 9	Thread Checker	1			D-26	Tension Disc	4	145446-0-01	
D-10	Screw	1	009630-4-12		D-29	Nut	1	105234-0-01	
D-11	Screw	1	111084-0-01		D-30	Screw	1	105233-0-01	
D-12	Washer	1	111188-0-01		D-31	Upper Thread Release Pin	2	105231-0-00	
D-13	Thread Guide	1	105239-0-01		D-33	Thread Releaser Shaft	1	105232-0-01	
D-14	Upper Thread Guide	1	105238-0-01		D-34	Upper Thread Guide	2	105221-0-01	
D-15	Screw	1	009670-5-14		D-35	Screw	1	009670-5-12	
D-16	Screw	1	105237-0-02		D-36	Thread Hanger	1	105222-0-01	
D-17	Thread Release Connecting Bar	1	105236-0-01		D-37	Upper Thread Guide Retainer	1	105220-0-01	
D-18	Screw	1	105237-0-02		D-38	Screw	1	105223-0-01	
D-19	Screw	1	013680-6-12		D-39	Screw	4	009630-4-12	
D-20	Thread Release Crank	1	105235-0-01						

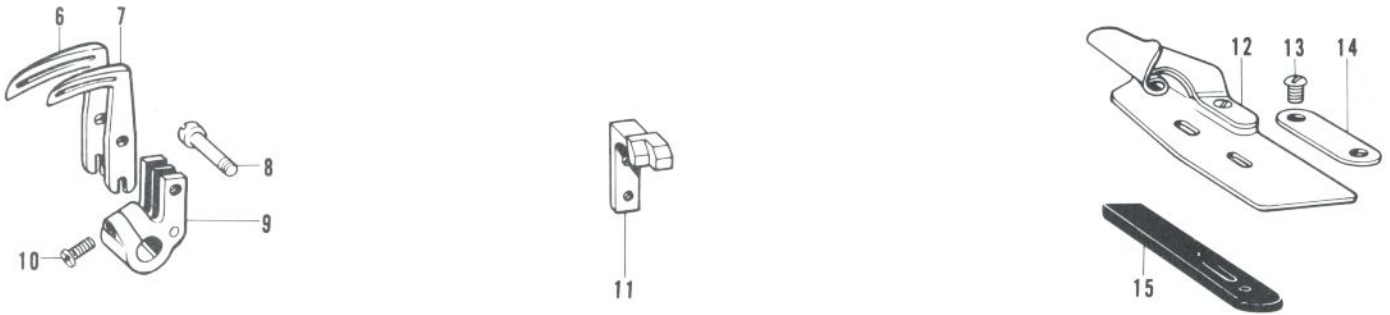
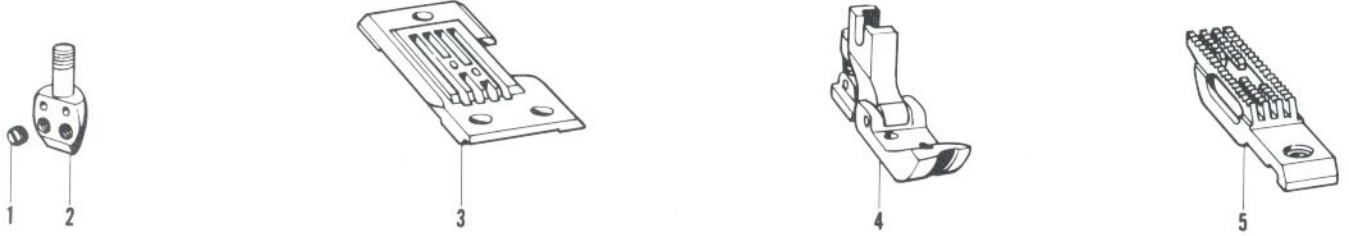
E. Lower Thread Mechanism



Ref. No.	Name of Parts	Qty	Parts No.	Ref. No.	Name of Parts	Qty	Parts No.
E: 1	Lower Thread Feed Tube	1	105300-0-01	E: 32	Thread Take-up Lever Cover	1	105280-0-01
E: 2	Screw	1	105303-0-01	E: 33	Screw	1	009670-6-12
E: 3	Lower Thread Guide Bracket	1	105301-0-01	E: 34	Screw	4	009630-4-12
E: 4	Screw	1	013760-6-10	E: 35	Upper Thread Guide	2	105221-0-01
E: 5	Screw	1	009660-6-03	E: 36	Screw	1	009671-0-12
E: 6	Looper Guide	1	105304-0-01	E: 37	Lower Thread Guide Retainer	1	105249-0-01
E: 7	Screw	2	009630-6-14	E: 38	Lower Thread Guide Supporter	1	105250-0-01
E: 8	Thread Cutter	1		E: 39	Screw	1	009670-4-12
E: 9	Thread Cutter Plate	2		E: 40	Screw	1	009670-5-12
E: 10	Screw	1	105288-0-02	E: 41	Inhad Guide Tube Assembly	1	105251-0-01
E: 11	Lower Thread Guide	1	105296-0-01	E: 42	Screw	2	009671-0-12
E: 12	Screw	1	009670-6-12	E: 43	Horizontal Tubular Guide	1	105262-0-01
E: 13	Lower Thread Guide Plate	1	105297-0-01	E: 44	Horizontal Thread Guide Plate	1	105268-0-01
E: 14	Screw	2	100641-0-05	E: 45	Spring	1	105269-0-01
E: 15	Lower Thread Take-up Flame	1	105284-0-01	E: 46	Screw	1	009670-5-12
E: 16	Screw	1	105283-0-01	E: 47	Screw	2	009630-4-12
E: 17	Lower Thread Guide (Left)	1	105294-0-01	E: 48	Plate Spring	1	105256-0-01
E: 18	Screw	1	009679-3-12	E: 49	Lower Thread Guide Hinge	1	105260-0-01
E: 19	Lower Thread Guide Plate	1	105292-0-01	E: 50	Screw	2	009671-0-14
E: 20	Washer	2	105293-0-01	E: 51	Lower Thread Tension Adjusting	1	105274-0-01
E: 21	Screw	2	001670-6-12	E: 52	Lower Thread Cover	1	105255-0-01
E: 22	Lower Thread Take-up Lever	1	105291-0-01	E: 53	Screw	1	105274-0-01
E: 23	Lower Thread Take-up Lever	1	105285-0-01	E: 54	Lower Thread Tension Bracket	1	105270-0-01
E: 24	Lower Thread Take-up Lever	1	105286-0-01	E: 55	Lower Thread Tension Spring	1	105278-0-00
E: 25	Guide Plate	1	105287-0-01	E: 56	Screw	1	013761-6-12
E: 26	Screw	2	105288-0-01	E: 57	Lower Thread Tension Spring	1	105276-0-00
E: 27	Lower Thread Guide (Right)	1	105289-0-01	E: 58	Lower Thread Tension Screw	1	105276-0-01
E: 28	Washer	1	025040-2-33	E: 59	Washer	1	023350-1-32
E: 29	Screw	1	009670-5-14	E: 60	Screw	1	009670-6-12
E: 30	Screw	1	122771-0-01				
E: 31	Spring	1	105281-0-01				



# F. Gauge Mechanism



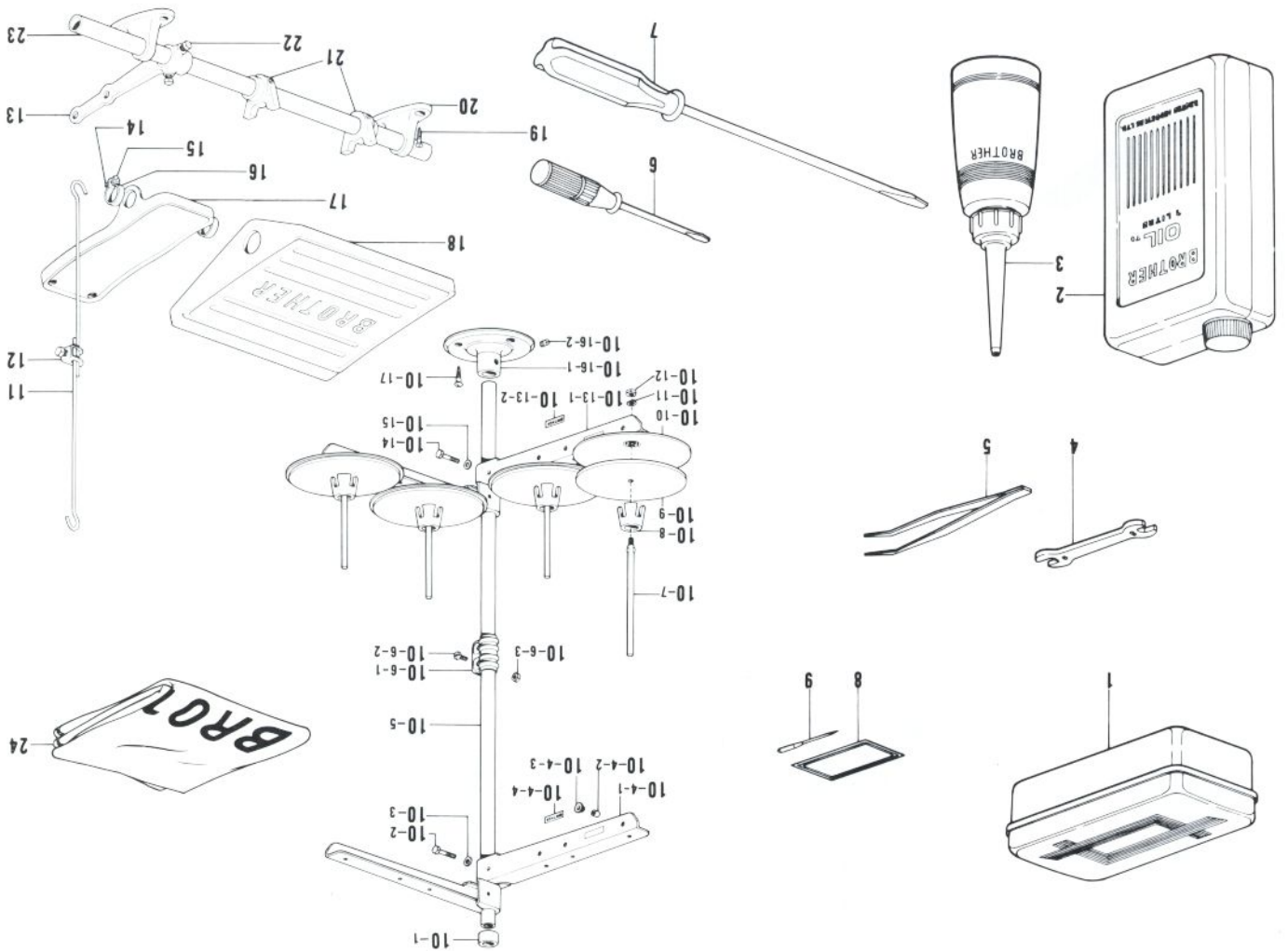
Ref. No.	Name of Parts	Qty	Parts No.	Assembly No.	Ref. No.	Name of Parts	Qty	Parts No.	Assembly No.
F- 1	Screw	2	105086-0-01		F- 9	Needle Holder	1		
F- 2	Needle Clamp	1			F-10	Screw	1	009681-0-12	
F- 3	Needle Plate	1			F-11	Needle Guard	1		
F- 4	Presser Foot	1			F-12	Lapper	1		
F- 5	Feed Dog	1			F-13	Screw	2	105130-0-01	
F- 6	Looper Long	1			F-14	Lapper Guide Plate Washer	1	105129-0-01	
F- 7	Looper Short	1			F-15	Lapper Guide Plate	1	105128-0-01	
F- 8	Screw	1	009671-4-12						

## GAUGE PARTS LIST

Ref. No.	Model No.				
	Needle Gauge	319-26-36	319-30-37	319-32	319-34
	Name of Parts	3/16	1/4	1/8	5/32
F-1,2	Needle Clamp with Screw	181077-0-01	181074-0-01	181076-0-01	181075-0-01
F-3	Needle Plate	105403-0-01	106159-0-01	105088-0-01	101940-0-01
F-4	Presser Foot	101491-0-01	106160-0-01	105114-0-01	101941-0-01
F-5	Feed Dog	105404-0-01	106169-0-01	105172-0-01	101943-0-01
F-6-10	Looper Assembly	110429-0-01	145821-0-01	110427-0-01	110428-0-01
F-11	Needle Guard	105302-0-01	106170-0-01	105302-0-01	
F-12	Lapper Assembly	101494-0-01	101561-0-01	101488-0-01	101949-0-01

MH  
101564-0-01 H

From the library of: Diamond Needle Corp



Ref. No.	Name of Parts	Qty	Parts No.	Assembly No.	Ret. No.	Name of Parts	Parts No.	Assembly No.
Z-1	Accessory Box		110436-0-01		Z-10	Washer	025050-2-33	
Z-2	Oil Tank		145277-1-03		Z-10-15	Washer	025050-2-33	
Z-3	Oil Tank		114483-0-01		Z-10-16-1	Cotton Stand Base	150189-0-01	Z-10-16 Cotton Stand Assembly 150139-0-01
Z-4	Spanner		100887-0-01		Z-10-16-2	Screw	150181-0-01	
Z-5	Tweezers		117466-0-00		Z-10-17	Screw	031432-2-03	
Z-6	Screw Driver		105344-0-01		Z-10-17	Screw	031432-2-03	
Z-7	Screw Driver		101572-1-01		Z-11	Connecting Rod	105339-0-01	
Z-8	Needle Bag				Z-12	Connecting Rod Coupling	181225-0-01	
Z-9	Needle TV x 1				Z-13	Connecting Lever	109656-0-01	
Z-10-1	Cap				Z-14	Nut	021400-1-06	
Z-10-2	Bolt		017502-8-03		Z-15	Screw	001401-4-06	
Z-10-3	Nut		025050-2-33		Z-16	Foot Pedal Stopper	116016-0-01	
Z-10-4-1	Spool Holder		150178-0-01		Z-17	Foot Pedal	117437-1-01	
Z-10-4-2	Thread Bushing		142990-0-01		Z-18	Treadle	109649-0-01	
Z-10-4-3	Thread Hanger		150183-0-00		Z-19	Screw	100469-0-02	
Z-10-4-4	Name Plate		143000-0-01		Z-20	Treadle Shaft Bracket	109657-0-01	
Z-10-5	Pipe		150172-0-01		Z-21	Treadle Stopper	180827-0-01	
Z-10-6-1	Joint		150173-0-01		Z-22	Bolt	100463-0-01	
Z-10-6-2	Screw		150202-0-01		Z-23	Treadle Shaft	106062-0-01	
Z-10-6-3	Nut		021500-1-03		Z-24	Head Cover	144228-0-01	
Z-10-7	Spool Shaft		150179-0-01					
Z-10-8	Spool Cushion		147060-0-01					
Z-10-9	Spool Mat		150182-0-00					
Z-10-10	Spool Stand Base		150180-0-00					
Z-10-11	Spring Washer		028050-2-43					
Z-10-12	Nut		021500-1-03					
Z-10-13-1	Spool Holder 2		150178-0-01					
Z-10-13-2	Name Plate		143000-0-01					
Z-10-14	Bolt		017502-8-03					

\* The details of included accessories are subject to change.  
 \* Änderungen in der Aufstellung der mitgelieferten Zubehörteile sind vorbehalten.  
 \* Les détails des accessoires inclus sont sujets à des changements.  
 \* Los detalles de los accesorios incluidos pueden variar.

## DIFFERENT PARTS LIST

Ref. No.	Name of Parts	Model No.					
		319-26	319-30	319-32	319-34	319-36	319-37
B-29	Needle TV × 1	105087-0-14	105087-0-16				
B-55	Thread Take-up Lever Crank	105072-0-01	109407-0-01	105072-0-01		109407-0-01	
Z-9	Needle TV × 1	105087-0-14	105087-0-16				

## I N D E X

Parts No.	Ref. No.	Remark	Parts No.	Ref. No.	Remark	Parts No.	Ref. No.	Remark	Parts No.	Ref. No.	Remark
001401-4-06	Z-15		025350-1-32	E-59		105073-0-01	B-54		105191-0-01	C-16	
001670-5-12	C-58		028050-2-43	Z-10-11		105077-0-00	B-64		105193-0-01	C-8~14	
001670-6-12	E-21		031452-2-03	Z-10-17		105078-0-01	B-58		105200-0-01	C-26	
001670-8-14	B-1		072620-0-70	C-49		105079-0-01	B-57		105201-0-00	C-22	
009630-4-12	D-10		072620-1-80	C-63		105083-0-01	B-19		105202-0-00	C-28	
	D-39		072620-2-00	B-52		105086-0-01	F-1		105209-0-01	C-24	
	E-34		072630-2-00	B-47		105087-0-01	B-29		105210-0-01	A-40	
	E-47		072630-2-00	C-70			Z-9		105211-0-01	A-34	
009630-6-14	E-7		100022-0-04	C-12		105088-0-01	F-3		105214-0-01	A-38	
009660-6-03	E-5		100032-0-03	A-51		105091-0-01	B-8		105215-0-01	A-32	
009670-4-12	E-39		100058-0-01	C-23		105094-0-01	B-9			A-36	
009670-5-12	A-53		100064-0-05	D-6		105095-0-01	B-13		105216-0-01	A-39	
	D-35			E-14		105096-0-01	B-10		105217-0-01	A-54	
	E-40		100134-0-01	D-25		105100-0-01	B-12		105218-0-01	A-55	
	E-46		100242-0-03	A-4		105103-0-01	B-24		105220-0-01	D-37	
009670-5-14	D-15		100257-0-10	A-3		105104-0-01	B-23		105221-0-01	D-34	
	E-29		100260-0-01	B-2		105105-0-01	B-17			E-35	
009670-6-12	E-60			B-7		105106-0-01	B-18		105222-0-01	D-36	
	E-12			B-22		105113-0-01	A-33		105223-0-01	D-38	
	E-33			B-27			A-37		105227-0-01	D-23	
009670-7-12	D-1			C-36		105114-0-01	F-4		105231-0-01	D-31	
009670-8-13	B-66		100366-0-01	C-20		105128-0-01	F-15		105232-0-01	D-33	
009671-0-12	E-36		100463-0-01	Z-22		105129-0-01	F-14		105233-0-01	D-30	
	E-43		100469-0-02	Z-19		105130-0-01	F-13		105234-0-00	D-29	
009671-0-13	A-8		100526-0-03	C-10		105131-0-01	B-32		105235-0-01	D-20	
009671-0-14	E-50		100887-0-01	Z-4		105132-0-01	B-33		105236-0-01	D-17	
009671-4-12	F-8		101091-0-01	A-29		105137-0-01	A-19		105237-0-02	D-16	
009679-3-12	A-41		101488-0-01	F-12		105138-0-01	A-18			D-18	
	E-18		101491-0-01	F-4		105140-0-01	A-21		105238-0-01	D-14	
009680-7-13	C-25		101497-0-01	F-12		105141-0-01	A-20		105239-0-01	D-13	
009681-0-12	B-60		101561-0-01	F-12		105144-0-01	A-25		105245-0-01	D-7	
	C-40		101572-1-01	Z-7		105146-0-01	A-22		105248-0-01	D-2	
	F-10		101628-0-01	B-20,25			A-30		105249-0-01	E-37	
009681-2-12	C-41		101800-0-01	A-26		105147-0-01	C-47		105250-0-01	E-38	
009710-8-12	A-23		101940-0-01	F-3		105150-0-01	C-64		105251-0-01	E-41	
013680-6-12	D-19		101941-0-01	F-4		105152-0-01	Z-10		105255-0-01	E-52	
013760-6-10	E-4		101943-0-01	F-5		105154-0-01	C-72		105256-0-01	E-48	
013760-8-10	C-18		101949-0-01	F-12		105155-0-01	C-44		105257-0-01	E-51	
013761-0-10	C-27		102716-0-03	C-60		105156-0-01	C-48		105260-0-01	E-49	
	C-31			C-65		105157-0-01	C-52~59		105262-0-01	E-43	
013761-6-12	E-56		102843-0-03	A-9		105163-0-01	C-56		105268-0-01	E-44	
013770-7-10	B-56		102921-0-02	B-16		105169-0-01	C-29		105269-0-01	E-45	
	C-51		104449-0-01	A-11		105171-0-01	C-30		105270-0-01	E-55	
013771-2-12	B-43		105054-0-00	B-30		105172-0-01	F-5		105274-0-01	E-53	
	C-43		105056-0-00	B-51		105173-0-01	A-52		105276-0-01	E-58	
017502-8-03	Z-10-2		105057-0-00	B-53		105176-0-01	B-5		105277-0-01	E-54	
	Z-10-14		105062-0-01	B-48			C-13		105278-0-00	E-57	
021400-1-06	Z-14		105063-0-01	B-28			C-37		105280-0-01	E-32	
021500-1-03	Z-10-6-3		105064-0-01	B-36		105179-0-01	C-35		105281-0-01	E-31	
	Z-10-12		105065-0-01	B-38		105180-0-01	C-13~7		105283-0-01	E-16	
021710-2-12	B-15		105066-0-01	B-37			15,16,19		105284-0-01	E-15	
025040-2-33	E-28		105067-0-01	B-39		105184-0-01	C-5		105285-0-01	E-23	
025050-2-33	Z-10-3		105071-0-01	B-34		105188-0-01	C-2		105286-0-01	E-24	
	Z-10-15		105072-0-01	B-55		105189-0-01	C-21		105287-0-01	E-25	

Parts No.	Ref. No.	Remark	Parts No.	Ref. No.	Remark	Parts No.	Ref. No.	Remark	Parts No.	Ref. No.	Remark
105288-0-01	A-47		116016-0-01	Z-16							
	A-50		117437-0-01	Z-17							
	E-10		117466-0-00	Z-5							
	E-26		117948-0-00	C-17							
105289-0-01	E-27		120311-0-02	H-25							
105291-0-01	E-22		122771-0-01	E-30							
105292-0-01	E-19		142990-0-01	Z-10-4-2							
105293-0-01	E-20		143000-0-01	Z-10-4-4							
105294-0-01	E-17										
105296-0-01	E-11		144228-0-01	Z-24							
105297-0-01	E-13		145277-1-03	Z-2							
105298-0-01	C-66		145446-0-01	D-26							
105299-0-02	C-67		145821-0-01	F-6-10							
105300-0-01	E-1		145826-0-01	A-12							
105301-0-01	E-3		147055-0-01	Z-10-4							
105302-0-01	F-11		147060-0-01	Z-10-8							
105303-0-01	E-2		148006-0-01	H-14							
105304-0-01	E-6		148007-0-01	H-11							
105310-0-01	A-44		150106-0-01	Z-10-6							
105313-0-01	A-46		150139-0-01	Z-10-16							
105315-0-01	A-48		150152-0-01	Z-10							
105318-0-01	A-49		150172-0-01	Z-10-5							
105319-0-00	A-43		150173-0-01	Z-10-6-1							
105320-0-00	A-45		150177-0-01	Z-10-13							
105321-0-01	A-42		150178-0-01	Z-10-4-1							
105333-0-01	B-31		150179-0-01	Z-10-13-1							
105337-0-01	A-31										
105341-0-01	A-28		150180-0-00	Z-10-10							
105344-0-01	Z-6		150181-0-01	Z-10-16-2							
105359-0-01	Z-11		150182-0-00	Z-10-9							
105363-0-01	B-21		150183-0-00	Z-10-4-3							
105403-0-01	F-3		150202-0-01	Z-10-6-2							
105404-0-01	F-5		188049-1-01	H-4							
106062-0-01	Z-23		180050-0-01	C-68,69,71							
106159-0-01	F-3		180052-0-01	C-60-62							
106160-0-01	F-4		180053-0-01	C-33,34							
106169-0-01	F-5		180054-0-01	E-8,9							
106170-0-01	F-11		180827-0-01	Z-21							
107308-0-01	A-17		180907-0-01	C-32,39-42							
108896-0-01	B-62		181074-0-01	F-1,2							
109407-0-01	B-55		181075-0-01	F-1,2							
109649-0-01	Z-18		181076-0-01	F-1,2							
109656-0-01	Z-13		181077-0-01	F-1,2							
109657-0-01	Z-20		181225-0-01	Z-12							
110427-0-01	F-6-10		181966-0-01	B-46,49,50							
110428-0-01	F-6-10										
110429-0-01	F-6-10		181981-0-00	C-45,46							
110436-0-01	Z-1		181982-0-00	B-42,44,45							
111024-0-01	B-26										
111025-0-01	B-3		181990-0-01	D-21-24 27,28,32							
111026-0-01	A-7		181993-0-01	C-37,38							
111027-0-01	A-2		181997-0-01	B-5,6							
111028-0-01	A-1		182102-0-01	B-61,63,65							
111032-0-01	A-5		182304-0-01	D-4-10							
111033-0-01	A-10										
111039-0-01	A-27										
111040-0-01	A-24										
111071-0-01	A-6										
111084-0-01	D-11										
111188-0-01	D-12										
111193-0-01	B-40										
111194-0-01	B-41										
111809-0-01	D-3										
114483-0-01	Z-3										